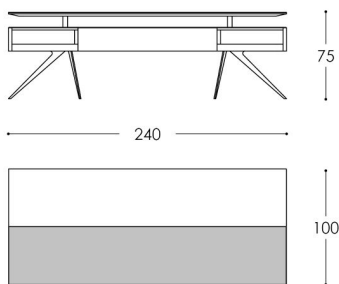


**MADISON**

240x100 h 75

**MDS.240**

m<sup>3</sup> Kg



Rectangular table with working desktop area upholstered in Tech Leather.  
Apparently a frontboard, the table is structured with a huge drawer with the same length of the table.  
The drawer is finished in Tech Leather on top and bottom and in natural wood or lacquer finish on sideboards.  
The whole is supported by two metal structures with three inclined legs.

Price (Polished Chrome)

Price (Black Nickel)

**FINISHES:**

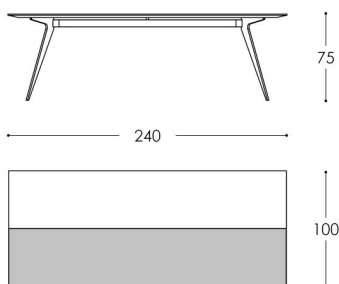
Top in wood or micro-texturized lacquer finish.  
Overtop in Tech-Leather  
Metal base in gloss chrome finish or black nickel.  
Drawer combining wood, micro-texturized lacquer finish and Tech-leather.

**Possibility of electrificate this table with one KONEX power point**

240x100 h 75

**MDS.LEGS**

m<sup>3</sup> Kg



Rectangular table with working desktop area upholstered in Tech Leather.  
The metal base consists of 4 inclined legs.

Price (Polished Chrome)

Price (Black Nickel)

**FINISHES:**

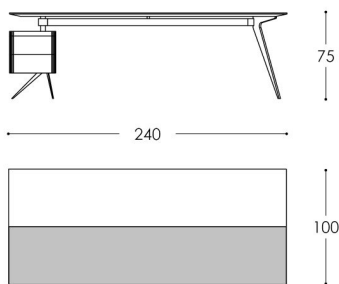
Top in wood or micro-texturized lacquer finish.  
Overtop in tech-leather.  
Metal base in gloss chrome finish or black nickel.

**Possibility of electrificate this table with one KONEX power point**

240x100 h 75

**MDS.LEGS&MIX**

m<sup>3</sup> Kg



Rectangular table with working desktop area upholstered in Tech Leather.  
The metal base consists of 2 inclined legs and a pedestal with drawers.

Price (Polished Chrome)

Price (Black Nickel)

**FINISHES:**

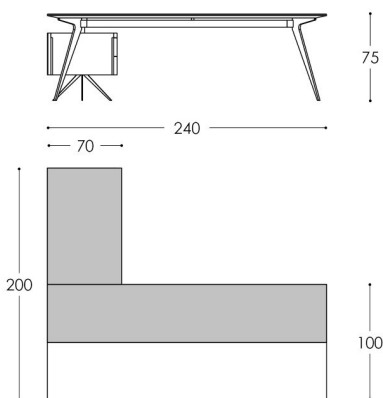
Top in wood or micro-texturized lacquer finish.  
Overtop in tech-leather.  
Pedestal in wood or micro-texturized lacquer finish.  
Metal base in gloss chrome finish or black nickel.

**Possibility of electrificate this table with one KONEX power point**

240x200 h 75

**MDS.LEGS&ALA**

m<sup>3</sup> Kg



Rectangular table with side extension.  
The metal base consists of 4 inclined bases. Side extension on top of pedestal.  
Overtop upholstered in working area and side extension.

Price (Polished Chrome)

Price (Black Nickel)

**FINISHES:**

Top in wood or micro-texturized lacquer finish.  
Overtop, in tech-leather.  
Pedestal in wood or micro-texturized lacquer finish.  
Metal base in gloss chrome finish or black nickel.

**Possibility of electrificate this table with one KONEX power point**