

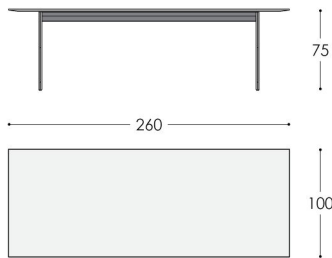


NEUTRA

260x100 h 75

NTR-01

m³ Kg



25 mm rectangular table top.
Top resting on two sides joined together by an upper metal structure.
Sides include an internal metal structure, visible at the edges.

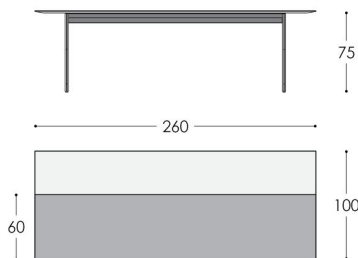
Price

FINISHES:
Top, in micro-texturized lacquer finish.
Sides, in micro-texturized lacquer finish.
Metal structure, in micro-texturized matt lacquer finish.

260x100 h 75

NTR-01-M

m³ Kg



25 mm rectangular table top and partial overtop.
Top resting on two sides joined together by an upper metal structure.
Sides include an internal metal structure, visible at the edges.

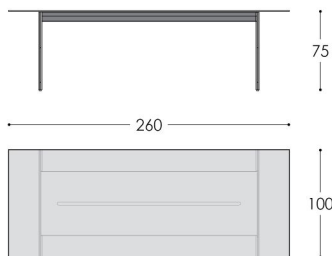
Price

FINISHES:
Top, in wood finish.
Overtop, in tech-leather.
Sides, in wood finish.
Metal structure, in micro-texturized matt lacquer finish.

260x100 h 75

NTR-01-Cr

m³ Kg



10mm rectangular GLASS table top.
Top resting on two sides joined together by an upper metal structure.
Sides include an internal metal structure, visible at the edges.

Price

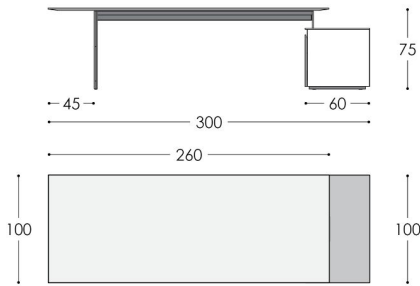
FINISHES:
Top, in Grey Parsol GLASS.
Sides, in wood finish.
Metal structure, in micro-texturized lacquer finish.

300x100 h 75

NTR-02

m³ Kg

Price



25 mm rectangular table top.
Top resting on one side and a container module, joined together by an upper metal structure.
Sides include an internal metal structure, visible at the edges.
Module (A) consisting of one large container and drawer space allowing to make electrical connection from the ground.
Possibility of adding this module with one KONEX power point (NOT INCLUDED).

FINISHES:

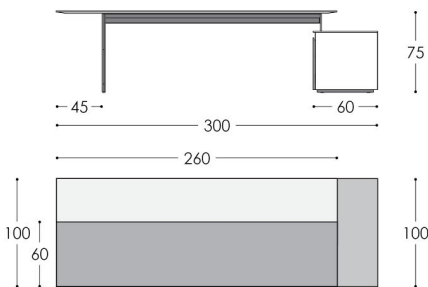
Top, in micro-texturized lacquer finish.
Side, in micro-texturized lacquer finish.
Metal structure in micro-texturized lacquer finish.
Module (A), in micro-texturized lacquer finish and Tech-Leather upholstery overtop.

300x100 h 75

NTR-02-M

m³ Kg

Price



25 mm rectangular table top and partial overtop.
Top resting on one side and a container module, joined together by an upper metal structure.
Sides include an internal metal structure, visible at the edges.
Module (A) consisting of one large container and drawer space allowing to make electrical connection from the ground.
Possibility of adding this module with one KONEX power point (NOT INCLUDED).

FINISHES:

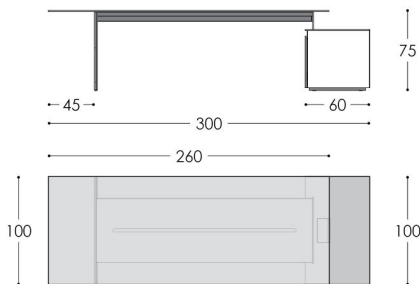
Top, in wood finish.
Overtop, in tech-leather.
Side, in wood finish.
Metal structure in micro-texturized lacquer finish.
Module (A), in micro-texturized lacquer finish, Front in wood finish and Tech-Leather upholstery overtop.

300x100 h 75

NTR-02-Cr

m³ Kg

Price



10mm rectangular GLASS table top.
Top resting on one side and a container module, joined together by an upper metal structure.
Sides include an internal metal structure, visible at the edges.
Module (A) consisting of one large container and drawer space allowing to make electrical connection from the ground.
Possibility of adding this module with one KONEX power point (NOT INCLUDED).

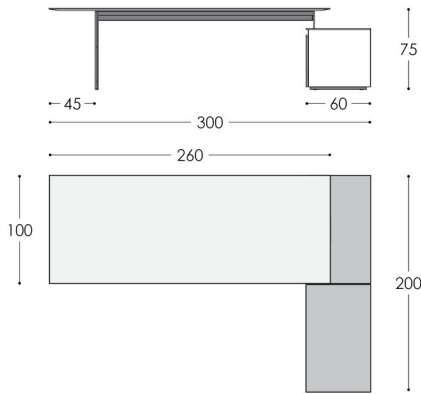
FINISHES:

Top, in Grey Parsol GLASS.
Side, in wood finish.
Metal structure in micro-texturized lacquer.
Module (A), in micro-texturized lacquer finish, Front in wood finish and Tech-Leather upholstery overtop.

300x200 h 75

NTR-03

m³ Kg



NEUTRA table composition;
Consisting on Top + Mod. (A) + Mod. (B)

Price

25 mm rectangular table top.
Top resting on one side and a container module, joined together by an upper metal structure.
Sides include an internal metal structure, visible at the edges.
Module (A) consisting of one large container and drawer space allowing to make electrical connection from the ground.
Possibility of adding this module with one KONEX power point (NOT INCLUDED).
Module (B) consisting of one lower drawer container and a smaller upper drawer.

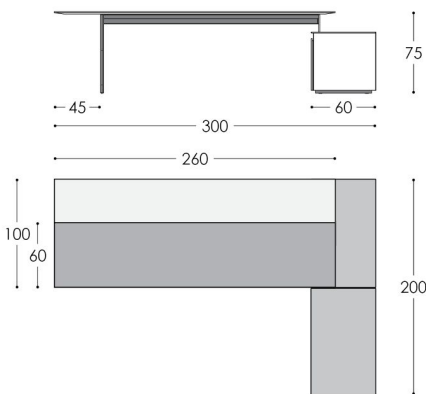
FINISHES:

Top, in micro-texturized lacquer finish.
Side, in micro-texturized lacquer.
Metal structure in micro-texturized lacquer finish.
Module (A) & (B), in micro-texturized lacquer finish and Tech-Leather upholstery overtop.

300x200 h 75

NTR-03-M

m³ Kg



NEUTRA table composition;
Consisting on Top + Mod. (A) + Mod. (B)

Price

25 mm rectangular table top and partial overtop.
Top resting on one side and a container module, joined together by an upper metal structure.
Sides include an internal metal structure, visible at the edges.
Module (A) consisting of one large container and drawer space allowing to make electrical connection from the ground.
Possibility of adding this module with one KONEX power point (NOT INCLUDED).
Module (B) consisting of one lower drawer container and a smaller upper drawer.

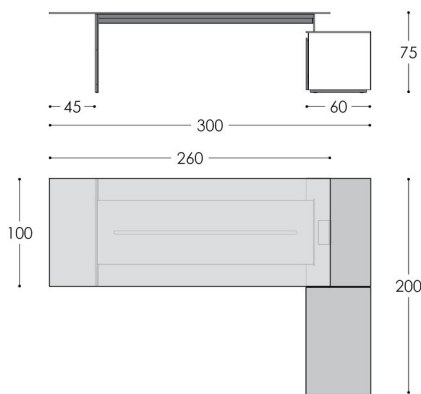
FINISHES:

Top, in wood finish.
Overtop, in tech-leather.
Side, in wood finish.
Metal structure in micro-texturized lacquer finish.
Modules (A) & (B), in micro-texturized lacquer finish, Fronts in wood finish and Tech-Leather upholstery overtop.

300x200 h 75

NTR-03-Cr

1.96 m³ 378 Kg



NEUTRA table composition;
Consisting on Top + Mod. (A) + Mod. (B)

Price

10mm rectangular GLASS table top.
Top resting on one side and a container module, joined together by an upper metal structure.
Sides include an internal metal structure, visible at the edges.
Module (A) consisting of one large container and drawer space allowing to make electrical connection from the ground.
Possibility of adding this module with one KONEX power point (NOT INCLUDED).
Module (B) consisting of one lower drawer container and a smaller upper drawer.

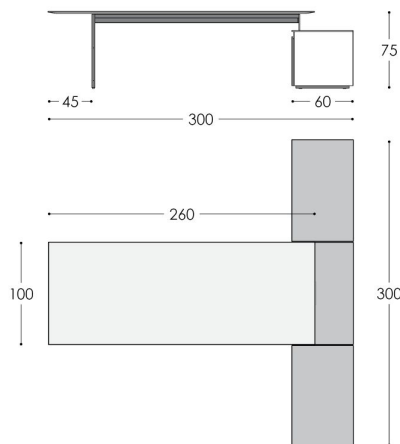
FINISHES:

Top, in Grey Parsol GLASS.
Side, in wood finish.
Metal structure in micro-texturized lacquer finish.
Modules (A) & (B), in micro-texturized lacquer finish, Fronts in wood finish and Tech-Leather upholstery overtop.

300x300 h 75

NTR-04

m³ Kg



NEUTRA table composition;
Consisting on Top + Mod. (A) + 2 Mod. (B)

Price

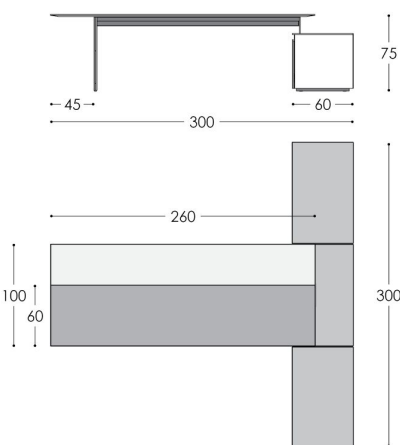
25 mm rectangular table top.
Top resting on one side and a container module, joined together by an upper metal structure.
Sides include an internal metal structure, visible at the edges.
Module (A) consisting of one large container and drawer space allowing to make electrical connection from the ground.
Possibility of adding this module with one KONEX power point (NOT INCLUDED).
Modules (B) consisting of one lower drawer container and a smaller upper drawer.

FINISHES:
Top, in micro-texturized lacquer.
Side, in micro-texturized lacquer finish.
Metal structure in micro-texturized lacquer.
Modules (A) & (B), in micro-texturized lacquer finish and Tech-Leather upholstery overtop.

300x300 h 75

NTR-04-M

m³ Kg



NEUTRA table composition;
Consisting on Top + Mod. (A) + 2 Mod. (B)

Price

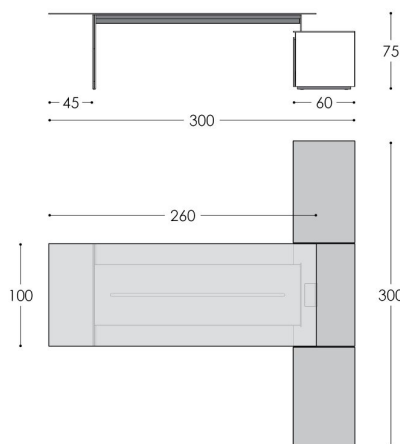
25 mm rectangular table top and partial overtop.
Top resting on one side and a container module, joined together by an upper metal structure.
Sides include an internal metal structure, visible at the edges.
Module (A) consisting of one large container and drawer space allowing to make electrical connection from the ground.
Possibility of adding this module with one KONEX power point (NOT INCLUDED).
Modules (B) consisting of one lower drawer container and a smaller upper drawer.

FINISHES:
Top, in wood finish.
Overtop, in tech-leather.
Side, in wood finish.
Metal structure in micro-texturized lacquer finish.
Modules (A) & (B), in micro-texturized lacquer finish, Fronts in wood finish and Tech-Leather upholstery overtop.

300x300 h 75

NTR-04-Cr

m³ Kg



NEUTRA table composition;
Consisting on Top + Mod. (A) + 2 Mod. (B)

Price

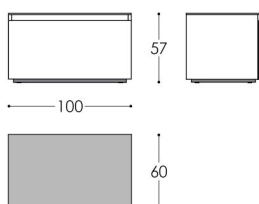
10mm rectangular GLASS table top.
Top resting on one side and a container module, joined together by an upper metal structure.
Sides include an internal metal structure, visible at the edges.
Module (A) consisting of one large container and drawer space allowing to make electrical connection from the ground.
Possibility of adding this module with one KONEX power point (NOT INCLUDED).
Module (B) consisting of one lower drawer container and a smaller upper drawer.

FINISHES:
Top, in Grey Parsol GLASS.
Side, in wood finish.
Metal structure in micro-texturized lacquer finish.
Modules (A) & (B), in micro-texturized lacquer finish, Fronts in wood finish and Tech-Leather upholstery overtop.

100x60 h 57

Mod (B)-100

0.55 m³ Kg



100 cm Module (B).
Consisting on a lower container area and an upper drawer with pencil holder.

Price

EXTRAS / SUPPLEMENTS:
-PENCIL HOLDER.
-POWER TERMINAL IN PENCIL HOLDER. (2 schukos + 2 USB charging ports).
-LOWER CONTAINER DIVIDERS.

EXTRA (Pencil Holder)

EXTRA (Power term.)

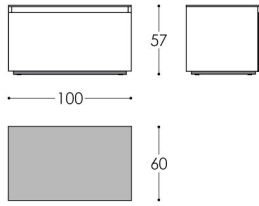
EXTRA (Mod. Dividers)

FINISHES:
Fronts, in micro-texturized lacquer finish.
Top, Sides & Back, in micro-texturized lacquer finish.
Overtop, in tech-leather.

100x60 h 57

Mod (B)-100-M

0.55 m³ Kg



100 cm Module (B).
Consisting on a lower container area and an upper drawer with pencil holder.

Price

EXTRA (Pencil Holder)

EXTRA (Power term.)

EXTRA (Mod. Dividers)

EXTRAS / SUPPLEMENTS:

- PENCIL HOLDER.
- POWER TERMINAL IN PENCIL HOLDER. (2 schukos + 2 USB charging ports).
- LOWER CONTAINER DIVIDERS.

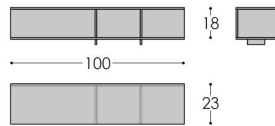
FINISHES:

Fronts, in wood finish.
Top, Sides & Back, in micro-texturized lacquer finish.
Overtop, upholstered in Tech-Leather.

100x23 h 18

EC-NT.100

0.10 m³ Kg



100 cm GLASS shelf.
To place on top of NEUTRA modules.

Price

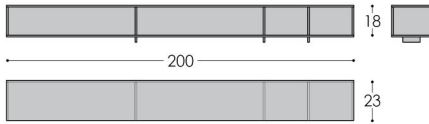
FINISHES:

Grey Parsol glass.

200x23 h 18

EC-NT.200

0.15 m³ Kg



200 cm GLASS shelf.
To place on top of NEUTRA modules.

Price

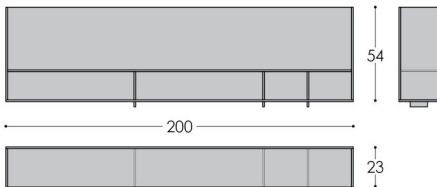
FINISHES:

Grey Parsol glass.

200x23 h 54

EC-NT.200-H

0.40 m³ Kg



200 cm GLASS shelf.
To place on top of NEUTRA modules.

Price

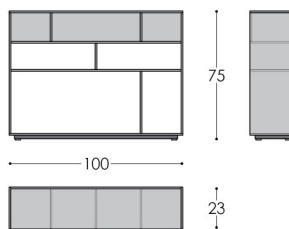
FINISHES:

Grey Parsol glass.

100x23 h 74

EC-NT.100-H

0.30 m³ Kg



100 cm GLASS shelf.
To place directly on the floor, over a small base in micro-textured lacquer finish.

Price

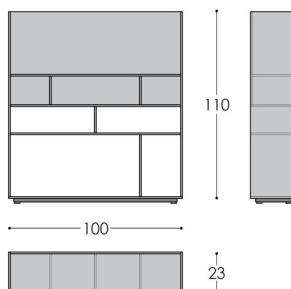
FINISHES:

Grey Parsol glass.
Base, black micro-texturized black lacquer.

100x23 h 110

EC-NT.100-H2

0.40 m³ Kg



100 cm GLASS shelf.
To place directly on the floor, over a small base in micro-textured lacquer finish.

Price

FINISHES:

Grey Parsol glass.
Base, black micro-texturized black lacquer.